

STEP LIGHTING (SL) SERIES

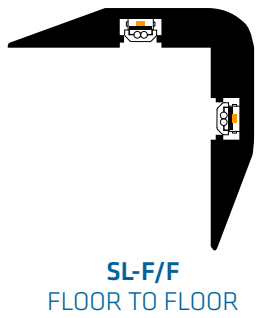
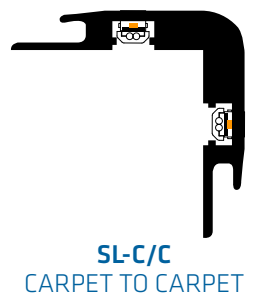
THEATER / AUDITORIUM LIGHTING



PROJECT _____

TYPE _____

NOTES _____



FEATURES

DESCRIPTION

Step lighting profile is designed to safely illuminate stair edges in theaters, auditoriums, and indoor public spaces.

CONSTRUCTION

- Black, flexible, non-slip, durable PVC rubber extrusion.
- Field cuttable for exact length and miter cut
- 0.25W, 4-LED replaceable modules available in a variety of colors
- Standard Led Spacing 9" O/C, 12" O/C and 18" O/C, custom available.
- Snap in Polycarbonate lens
- 12VAC system powered by low voltage class II transformers
- Dimmable

OPTIONS

- Two trim styles: carpet / carpet and floor / floor
- End caps available
- Side wireway available
- Various LED colors
- Custom spacing
- Three light configurations
- Custom mix of led colors available

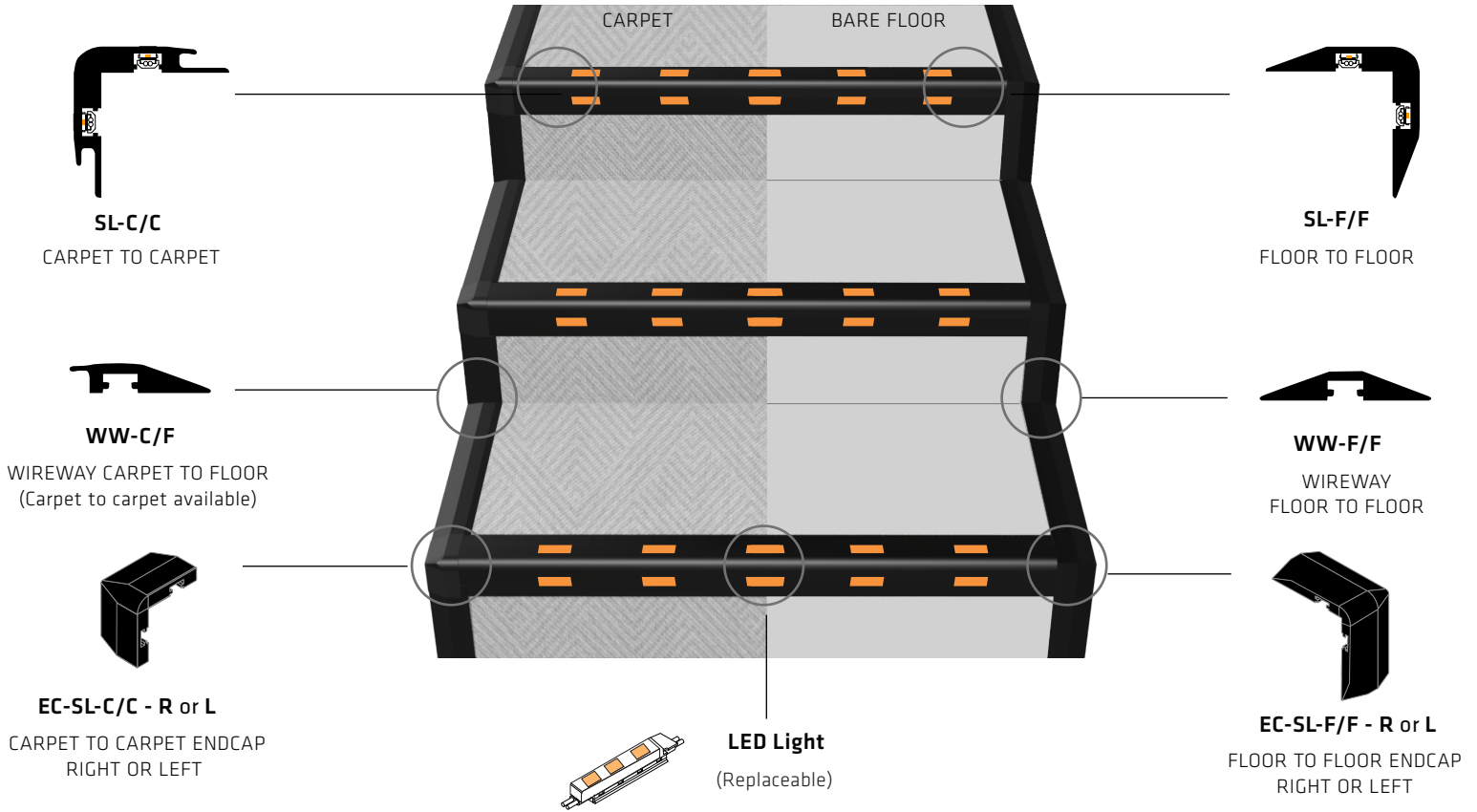
| SERIES | LIGHT CONFIGURATION | LED SPACING | LED COLORS | MOUNTING & POWER FEED SIDE | QTY / LENGTH |
|--|-----------------------------------|---|--|---|----------------|
| SL-C/C STEP LIGHT CARPET TO CARPET | TRL TREAD & RISER LIGHT | 9 9" O/C 12 12" O/C 18 18" O/C | W27K WHITE 2700K W3K WHITE 3000K W35K WHITE 3500K W4K WHITE 4000K W5K WHITE 5000K | STEP LIGHT WITH WIREWAY & ENDCAP OSWE/ R or L ONE SIDE BSWE/ R or L BOTH SIDES | SPECIFY |
| | TL TREAD LIGHT ONLY | C CUSTOM (Specify) | A AMBER R RED B BLUE M MIX COLORS (Specify) | STEP LIGHT WITH WIREWAY ONLY OSW/ R or L ONE SIDE BSW/ R or L BOTH SIDES | |
| SL-F/F STEP LIGHT FLOOR TO FLOOR | RL RISER LIGHT ONLY | | | STEP LIGHT WITH ENDCAPS ONLY OSE/ R or L ONE SIDE BSE/ R or L BOTH SIDES | |
| | | | | STEP LIGHT ONLY SO/ R or L STEP LIGHT ONLY | |
| | | | | | |
| Refer to PG. 1,2,3 | Refer to PG. 3 | Refer to PG. 3 | Refer to PG. 3 | Refer to PG. 4 | Refer to PG. 3 |

STEP LIGHTING (SL) SERIES

COMPONENTS - SPECIFICATIONS



COMPONENTS



SPECIFICATIONS

- EXTRUSION** Durable black, UL approved material, non slip, high grip, flexible PVC rubber. Designed for heavy foot traffic.
- LENS** 2" long, clear prismatic, impact-resistant polycarbonate lens, snaps in and out for easy relamping.
- LEDs** Available in white, amber, red, blue.
- LED BOARD** Replaceable custom LED board with four LEDs 0,25 watt/board, designed for easy snap-in and snap-out relamping.
- SOCKET** Custom-made socket designed to securely hold the wiring, LED board, and lens cover.
- LED SPACING** Standard spacing 9"o/c, 12"o/c, and 18"o/c. Custom spacing available.
- ELECTRICAL** Low voltage 12VAC system, 0.25 watt per LED module for all colors, refer to page 6 for maximum runs.
- WIREWAY** Durable black flexible PVC rubber with high grip, non slip surface, designed to withstand heavy foot traffic.
- ENDCAPS** Durable black flexible PVC rubber, designed to fit with the step extrusion and wireway for easy installation and aesthetics.
- ADHESIVE** Premium construction high quality adhesive.
- TRANSFORMER** Low voltage, 120 or 277VAC / 12VAC class 2 remote transformer is required, refer to page 6 for details and options.

COMPLIANCE CERTIFICATIONS

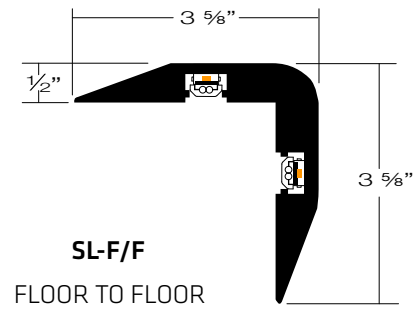
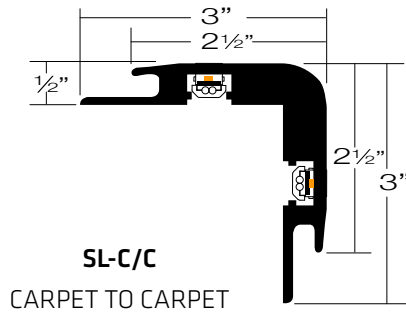


STEP LIGHTING (SL) SERIES

SERIES - OPTIONS



SERIES



LIGHT CONFIGURATION



TRL
TREAD AND RISER LIGHT



TL
TREAD LIGHT ONLY



RL
RISER LIGHT ONLY

LED SPACING

| PART NUMBER | 9 | 12 | 18 | C |
|-------------|--------|---------|---------|-----------------|
| DESCRIPTION | 9" o/c | 12" o/c | 18" o/c | Custom, Specify |

LED COLORS



W27K - 2700K



W3K - 3000K



W35K - 3500K



W4K - 4000K



W5K - 5000K



A - AMBER



R - RED



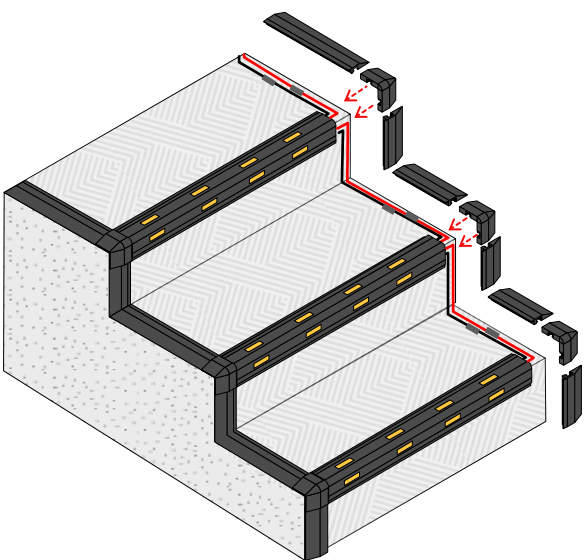
B - BLUE

STEP LIGHTING (SL) SERIES

MOUNTING & POWER FEED SIDE OPTIONS



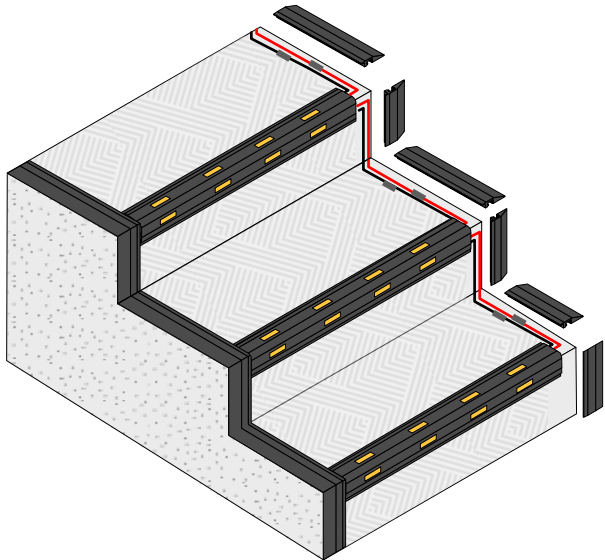
STEP LIGHT WITH WIREWAY & ENDCAPS (FOR CARPET/CARPET & FLOOR/FLOOR STEPS)



| PART NO. | DESCRIPTION |
|-------------|-----------------------------|
| OSWE/R or L | ONE SIDE WIREWAY & ENDCAP |
| BSWE/R or L | BOTH SIDES WIREWAY & ENDCAP |

Add **R** or **L** at the end of the part number for left or right side feed

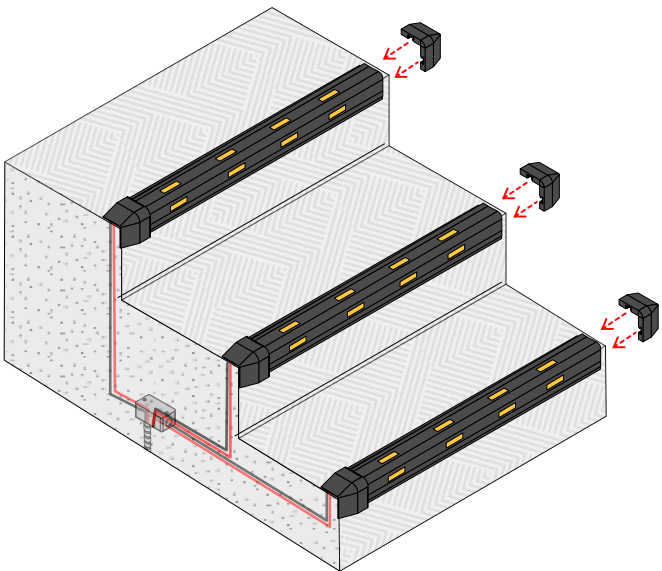
STEP LIGHT WITH WIREWAY ONLY (FOR CARPET/CARPET STEPS ONLY)



| PART NO. | DESCRIPTION |
|------------|--------------------|
| OSW/R or L | ONE SIDE WIREWAY |
| BSW/R or L | BOTH SIDES WIREWAY |

Add **R** or **L** at the end of the part number for left or right side feed

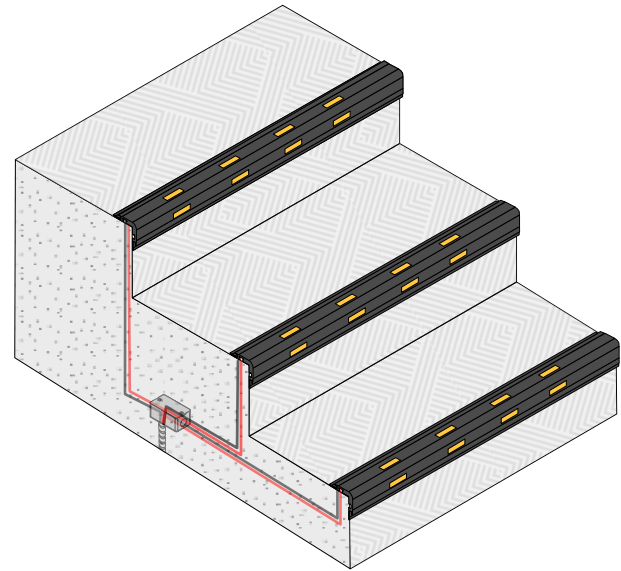
STEP LIGHT WITH ENDCAPS ONLY (FOR CARPET/CARPET & FLOOR/FLOOR STEPS)



| PART NO. | DESCRIPTION |
|------------|-------------------|
| OSE/R or L | ONE SIDE ENDCAP |
| BSE/R or L | BOTH SIDES ENDCAP |

Add **R** or **L** at the end of the part number for left or right side feed

STEP LIGHT ONLY (FOR CARPET/CARPET & FLOOR/FLOOR STEPS)



| PART NO. | DESCRIPTION |
|-----------|-----------------|
| SO/R or L | STEP LIGHT ONLY |

Add **R** or **L** at the end of the part number for left or right side feed

STEP LIGHTING (SL) SERIES

LENGTHS - ACCESSORIES



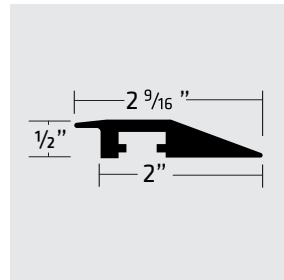
LENGTHS

| | |
|----------------------|---|
| QTY / LENGTHS | Specify the quantity and exact step light length required, field trim to exact length optional. |
|----------------------|---|

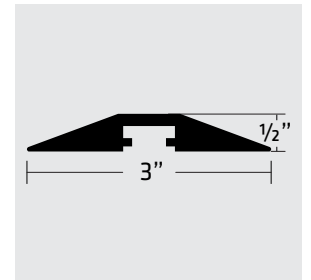
WIREWAY

Durable black flexible PVC rubber with high grip, non slip surface, designed to withstand heavy foot traffic. Must be cut in the field to the required length.

| PART NO. | DESCRIPTION |
|---------------|---|
| WW-C/F | WIREWAY CARPET TO FLOOR (Wireway for carpet to carpet available) |
| WW-F/F | WIREWAY FLOOR TO FLOOR |



WW-C/F



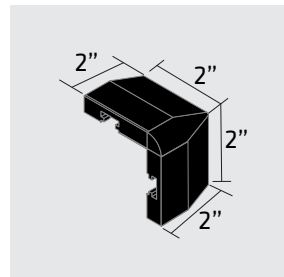
WW-F/F

ENDCAPS

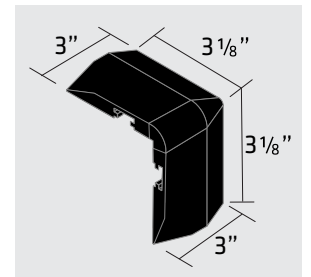
Durable black flexible PVC rubber, designed to fit with the step extrusion and wireway for easy installation and aesthetics.

| PART NO. | DESCRIPTION |
|---------------------------|--|
| EC-SL-C/C - R or L | ENDCAP FOR STEP LIGHTING CARPET/CARPET |
| EC-SL-F/F - R or L | ENDCAP FOR STEP LIGHTING FLOOR/FLOOR |

Add **R** or **L** at the end of the part number for left or right side



EC-SL-C/C - R or L



EC-SL-F/F - R or L

ADHESIVE

Premium construction high quality adhesive.
One tube of 28 fl oz covers 15 ft of step light.
One tube of 28 fl oz covers 30 ft of wireway.

| PART NO. | DESCRIPTION |
|------------|----------------------------|
| ADH | ADHESIVE 28 fl oz (828 ml) |



ADH

STEP LIGHTING (SL) SERIES

TRANSFORMERS - MAX RUNS - VOLTAGE DROP



TRANSFORMERS

- Class 2 magnetic transformer
- Secondary protection provided (reset-able 5A circuit breakers).
- Isolated secondary output.
- Outdoor listed enclosure NEMA 3R.
- Potted for quiet operation and long life.
- Dimmable with MLV dimmers only.
- ETL listed. Meets UL 1571, 1838 and Article 411 of N.E.C.



| PART NO. | WATTS | PRIMARY | SECONDARY | BREAKERS | DIMENSIONS | WEIGHT |
|--------------------|-------|---------|-----------|----------|-------------------------|--------|
| PLT2 -60 - 120/12 | 60W | 120VAC | 12VAC | 1 - 5A | 6 3/4" X 4 7/8" X 4 5/8 | 5 LBS |
| PLT2 -100 - 120/12 | 100W | 120VAC | 12VAC | 2 - 5A | 6 3/4" X 4 7/8" X 4 5/8 | 10 LBS |
| PLT2 -150 - 120/12 | 150W | 120VAC | 12VAC | 3 - 5A | 6 3/4" X 4 7/8" X 4 5/8 | 11 LBS |
| PLT2 -250 - 120/12 | 250W | 120VAC | 12VAC | 4 - 5A | 6 3/4" X 4 7/8" X 4 5/8 | 13 LBS |
| PART NO. | WATTS | PRIMARY | SECONDARY | BREAKERS | DIMENSIONS | WEIGHT |
| PLT2 -100 - 277/12 | 100W | 277VAC | 12VAC | 2 - 5A | 6 3/4" X 4 7/8" X 4 5/8 | 10 LBS |
| PLT2 -300 - 277/12 | 300W | 277VAC | 12VAC | 5 - 5A | 6 3/4" X 4 7/8" X 4 5/8 | 13 LBS |

MAXIMUM RUNS

The maximum recommended runs below are based on 80% load of 60W, 12V, 5A (80% of 60W is 48W, 12V, 4A).

| LED SPACING | WATTS / LED MODULE | LEDs ON TREAD & RISER | | LEDs ON TREAD or RISER | |
|-------------|--------------------|-----------------------|----------------|------------------------|----------------|
| | | WATTS / FT | MAX RUNS | WATTS / FT | MAX RUNS |
| 9" O/C | 0.25W | 0.66W | 72' (48W, 4A) | 0.33W | 144' (48W, 4A) |
| 12" O/C | 0.25W | 0.50W | 96' (48W, 4A) | 0.25W | 192' (48W, 4A) |
| 18" O/C | 0.25W | 0.34W | 141' (48W, 4A) | 0.17W | 282' (48W, 4A) |

VOLTAGE DROP

Maximum wire distance between the transformer and lighting system to prevent voltage drop

| LOAD (Watts) | 8AWG | 10AWG | 12AWG | 14AWG | 16AWG | 18AWG | 20AWG |
|--------------|-------|-------|-------|-------|-------|-------|-------|
| 10W | 1124' | 722' | 454' | 285' | 179' | 113' | 71' |
| 20W | 559' | 359' | 226' | 142' | 89' | 56' | 35' |
| 30W | 373' | 240' | 151' | 95' | 60' | 38' | 23' |
| 40W | 280' | 180' | 113' | 71' | 45' | 28' | 18' |
| 280' | 224' | 144' | 90' | 57' | 36' | 23' | 14' |
| 60W | 187' | 120' | 75' | 47' | 30' | 19' | 12' |

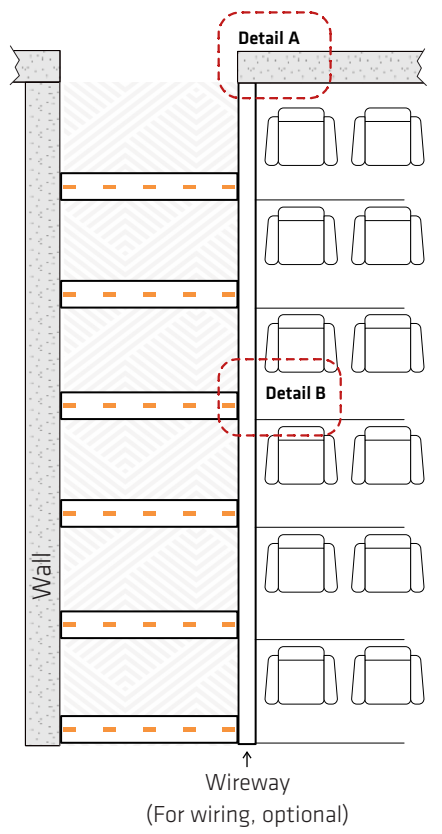
STEP LIGHTING (SL) SERIES

TYPICAL - STEPS LAYOUT & POWER FEED

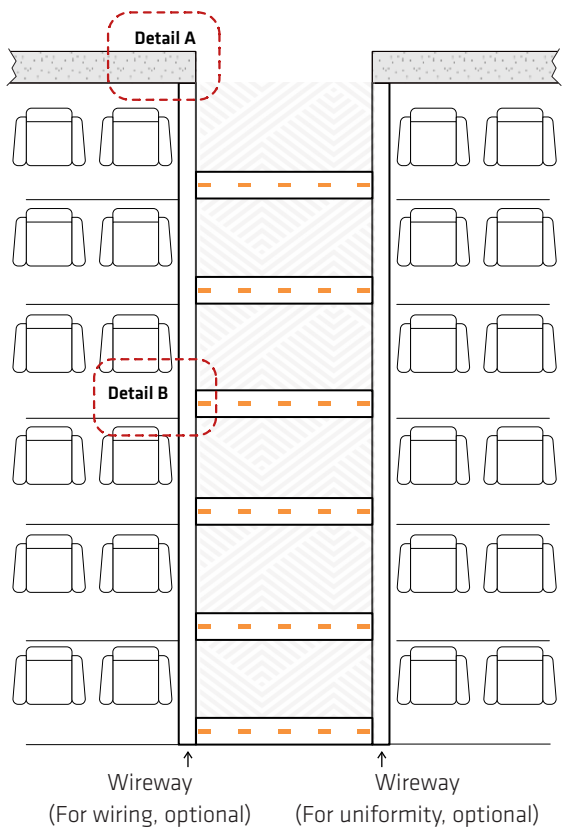


TYPICAL STEPS LAYOUT

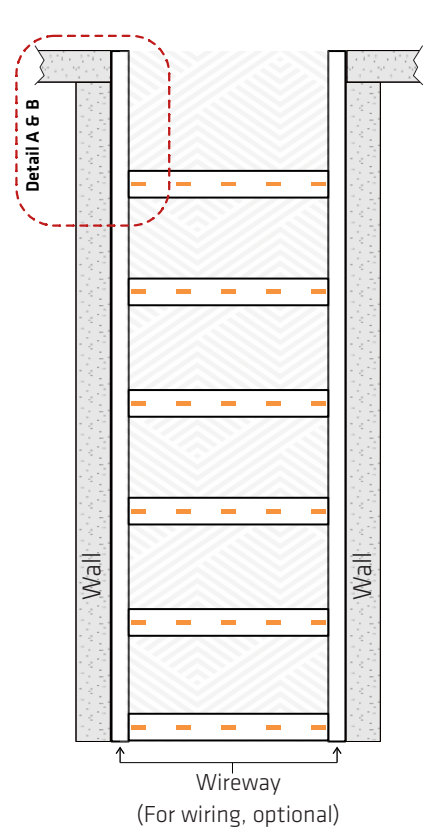
STEPS BETWEEN WALL & SEATS



STEPS BETWEEN SEATS



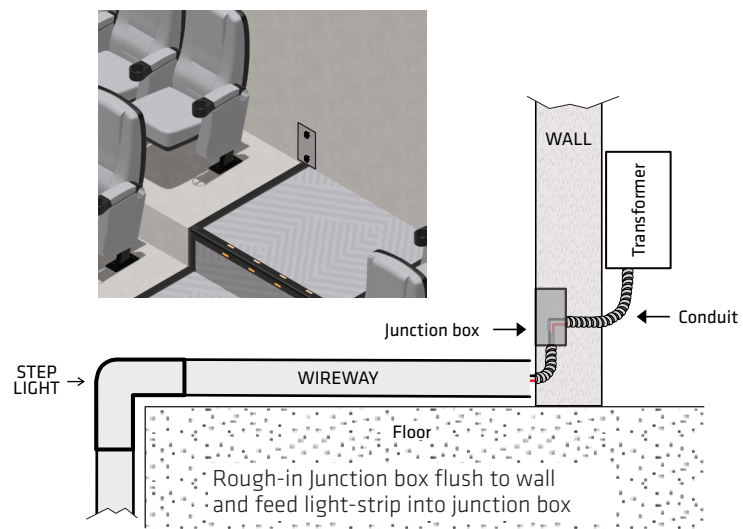
STEPS BETWEEN WALLS



TYPICAL POWER FEED

The details below are examples only
 The contractor is responsible for determining the most appropriate method to power feed the system. Contractor must identify the optimal location(s) for transformers and J-Boxes to ensure a proper and safe installation and in accordance with code requirements.

DETAIL A Wall Junction Box



DETAIL B Floor Junction Box

